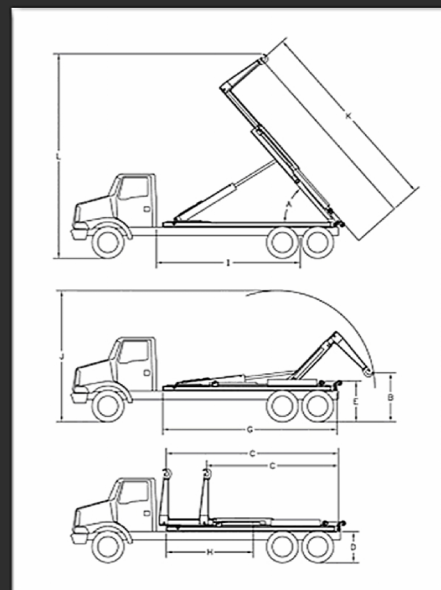


# WEST-MARK

## Lift Loader



	Dumping Capacity	65,000 (29,484 Kg) Maximum
A	Dump Angle	50°
B	Lowest Hook Height	44.51" or 38" (1,131 - 965 mm)
C	Effective Length	193" to 224" (4,902 to 5,690 mm)
D	Truck Frame Height	41" (1,041 mm)
E	Hooklift Height	53.44" (1,357 mm)
G	Hooklift Length	227" (5,766 mm)
H	Center of Gravity	103" (2,616 mm)
I	Chassis Cab to Trunion	180" optimum (4,572 mm) 170" minimum (4,318 mm) 190" optimum with taper (4,826 mm)
J	Max. Height Loading	175" or 179" (4,445 - 4,547 mm)
K	Longest Body to Dump	288" (7,315 mm)
L	Max. Height Dumping	259" or 264" (6,579 - 6,706 mm)
	Shipping Weight	4,500psi (31 Mpa)
	Hook Height (Hyd)	54 or 61.75" (1,372 or 1,568 mm)
	Shipping (LxHxW)	234" x 86" x 53"
	Min. Truck GVWR	54,000 (24,494 Kg)
	Load Angle	40° or 37°
	Body Lengths*	16' to 22' (4.9 to 6.7 m)
	Body Lengths**	16' to 24' (4.9 to 7.3 m)



*Brochure may reflect some options not included on base model; additional options not published may exist for current model.*



**WEST-MARK**  
www.west-mark.com



Brochure may reflect some options; additional options available.

P.O. Box 100  
2704 Railroad Avenue  
Ceres, CA 95307

(209) 537-4747  
(800) 692-5844  
Fax (209) 537-1753